

ICONIX™

The World's Smallest HD Video Camera



Multi-Format:

- 720p @ 24, 25, 30, 50 and 60 Hz
 - 1080i @ 50 & 60 Hz
 - 1080p @ 24, 25, 30, 50 and 60 Hz
-
- SDI, DVI-D, and Analog Outputs
 - 14-Bit Quantization
 - Electronic Shutter and Enhancement
 - Programmable Gamma Function
 - Genlock and Remote Control

HD-RH1

1/3" Progressive 3CCD HDTV Camera

A revolutionary High Definition remote head point of view camera system providing a high-performance, multi-format solution in a small package.

ICONIX

525i = 720p
625i = 1080i
1080p

PANEL
LOCK

BARS

FILE

60
50
25
24

A
B
C



MENU

SELECT

REC
LEVEL
MANUAL
GAIN

AWB
RED

WB
BLUE

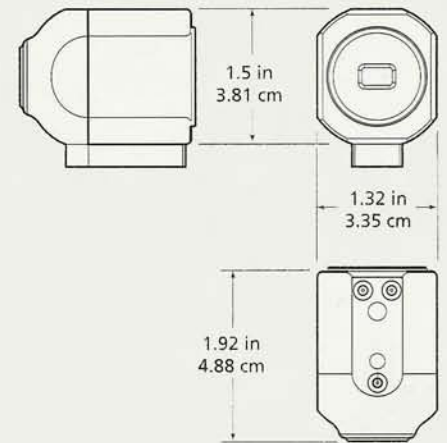
HD-RH1



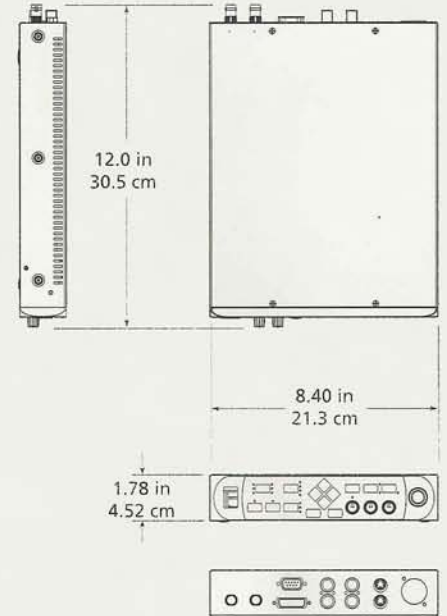
HD-RH1**Specifications:**

Image Sensor	1/3-inch Progressive Square Pixel CCD
Optical System	1/3-inch 3-CCD Prism
Lens Mount	C-Mount
Lens Control	3 Motor Drives: Iris, Zoom, & Focus. Two DC Voltages for Iris
Scanning Systems	720p / 23.98, 24, 25, 29.97, 30, 50, 59.94, 60Hz 1080i / 50, 59.94, 60 Hz 1080p / 23.98, 24, 25, 29.97, 30, 50, 59.94, 60Hz 525i / 59.94Hz 625i / 50Hz
Quantization Processing	14-bit
Gamma	On/Off, Five-Variable User Adjustable
White Balance	Automatic (AWB) or Manual
Black Balance	Automatic (ABB)
Shading Correction	Automatic
Gain	-3 dB to 15 dB, Manual or Fixed
Electronic Shutter	Automatic or Fixed
Scene File	3 User-Programmable Profiles
Sync System	Internal or Genlock to Tri-Level Sync
Output Signals	RGB/YPbPr: BNC x 3, 1Vpp, 75 Ohm Sync on Y/G or YPbPr/RGB HD-SDI (SMPTE-292M): BNC x 2 Two Single-Link 4:2:2 or Dual-Link 4:4:4 (RGB or YPbPr) or Dual-Link 4:2:2 (1080p50/59.94/60) DVI (Digital or Analog)
Input Signals	Genlock: BNC x 1, Tri-Level Sync Remote Control: RS-232, DSUB-9
Power Requirements	12V DC, 30W
Weight	Head: 2.3 oz. (64g) Controller: 3.5 lbs. (1.6 kg)
Dimensions	Head: 1.32"W x 1.50"H x 1.92"D (33.5 x 38 x 48.8 mm) Controller: 8.4"W x 1.78"H x 12"D (213 x 45 x 305 mm)
Tripod Mount	Optional Adapter for Head with 1/4-20 Thread
HD-RH1 Camera System	Camera Head, CCU, Power Supply, 3 Meter Cable

Features and Specifications subject to change without notice



Camera Head



Controller



Distributed by:
Polecam
10 Sunbeam Road
Woburn Road Industrial Estate
Kempston
Bedford
MK42 7BY
UK

Tel: +44 (0)1234 855222
Fax: +44 (0)1234 855270
email: info@polecam.com